



Linde Material Handling

*Linde*




## Order Picker

# MV01

Capacity 0.9 t | Series 8905

## Task Support Vehicle

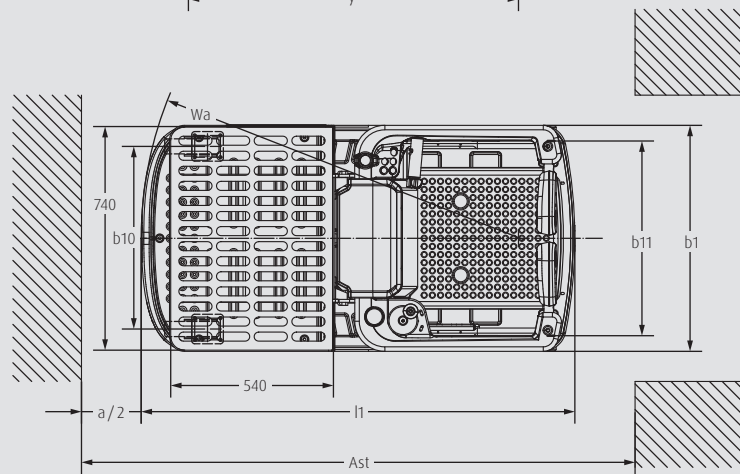
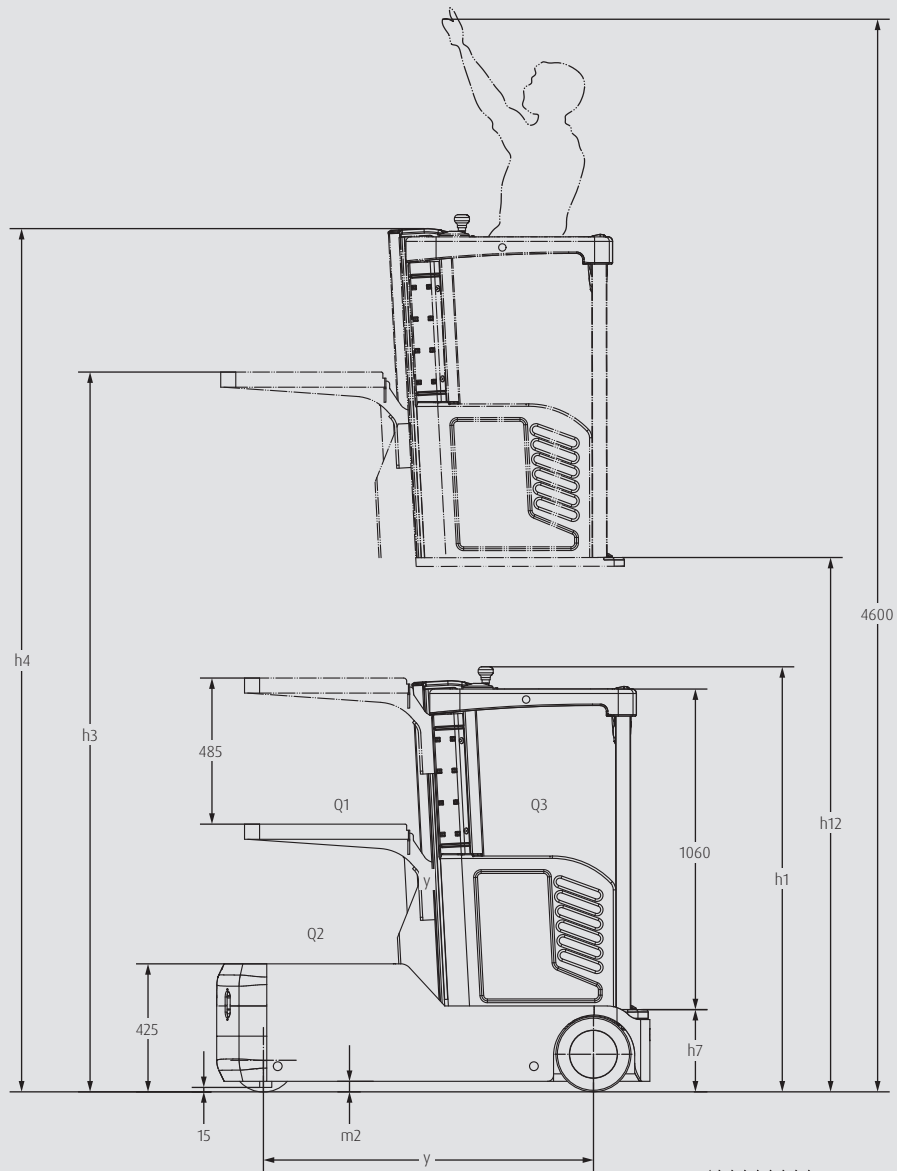
- Overall length of only 1140 millimeters ensures easy maneuverability
- Lifting platform up to 3 meters height enables order picking on the second and third rack level
- Stable structure for load capacity up to 100 kilograms
- Lithium-ion battery can be charged at any time and increases vehicle availability

 Here you can find more content via your smartphone: [Linde Augmented Reality App](#)



# TECHNICAL DATA (According to VDI 2198)

Characteristics	1.1	Manufacturer		Linde
	1.2	Model		MV01
	1.2.a	Series		8905
	1.3	Power Unit		Battery
	1.4	Operation		Order Picker
	1.5	Load capacity/Load	Q (t)	90
	1.6	Load centre distance	c (mm)	110
	1.8	Axle centre to fork face	x (mm)	136
	1.9	Wheelbase	y (mm)	1095
Weights	2.1	Service weight	(kg)	770
	2.2	Axle load with load, front/rear	(kg)	550/560
	2.3	Axle load without load, front/rear	(kg)	375/395
Wheels/Tyres	3.1	Tyres rubber, SE, pneumatic, polyurethane		PU + PU/R
	3.2	Tyre size, front		Φ 210 × 70
	3.3	Tyre size, rear		Φ 250 × 100
	3.4	Auxiliary wheels (dimensions)		Φ 74 × 48
	3.5	Wheels, number front/rear (x = driven)		1x + 2/2
	3.6	Track width, front	b10 (mm)	545
	3.7	Track width, rear	b11 (mm)	640
Dimensions	4.2	Height of mast, lowered	h1 (mm)	1425
	4.4	Lift	h3 (mm)	3620
	4.5	Height of mast, extended	h4 (mm)	4100
	4.7	Height of overhead guard (cabin)	h6 (mm)	1375
	4.8	Seat height/standing height	h7 (mm)	275
	4.14	Stand height, elevated	h12 (mm)	3000
	4.19	Overall length	l1 (mm)	1440
	4.21	Overall width	b1/b2 (mm)	750
	4.32	Ground clearance with load, center of wheelbase	m2 (mm)	35
4.35	Turning radius	Wa (mm)	1260	
Performance	5.1	Travel speed, with/without load (H: 0 - 500 mm)	(km/h)	6/6.5
		Travel speed, with/without load (H: 500 - 1000 mm)	(km/h)	3
		Travel speed, with/without load (H: 1000 - 2000 mm)	(km/h)	2
		Travel speed, with/without load (H: 2000 - 3000 mm)	(km/h)	1
	5.2	Lifting speed, with/without load (Q3)	(m/s)	0.213/0.225
		Lifting speed, with/without load (Q1)	(m/s)	0.023/0.028
	5.3	Lowering speed, with/without load (Q3)	(m/s)	0.230/0.233
		Lowering speed, with/without load (Q1)	(m/s)	0.030/0.029
	5.8	Max. gradeability, laden/unladen	(%)	1.8/1.8
5.10	Service brake		Electromagnetic	
Drive	6.1	Drive motor rating S2 60 min	(kW)	0.65
	6.2	Lift motor rating	(kW)	2.2
	6.4	Battery voltage, nominal capacity K5	(V/Ah)	24/135
	6.5	Battery weight	(kg)	35
	6.6	Power consumption according to VDI cycle	(kWh/h)	0.387
Others	8.1	Type of drive unit		DC
	8.4	Noise level	(dB(A))	74



# STANDARD AND OPTIONAL EQUIPMENT

Model/Equipment		MV01
Safety	Rear flashing beacon	○
	Front BlueSpot™	○
	Automatic locking doors	●
	Acoustic signal (reverse or descending and reverse)	□
	Automatic speed reduction when cornering	●
	Automatic speed reduction when lifting platform	●
	Sensitive sensors on both handles	●
	Key switch	●
Service	CAN bus technology	●
Workplace	Lifting platform up to 3 meters	●
	Multifunctional display	●
	Compact steering wheel integrate into the console	●
	Electrically adjustable storage tray up to 90 kg	●
	Storage: paperwork, pens, gloves, two bottles compartments	●
Tyres	Drive wheel polyurethane	●
	Load wheel rubber	●
Drive and Brake-System	0.65 kW DC motor (maintenance free)	●
	Electromagnetic braking system	●
	Extra Li-ION battery 24 V / 135 Ah	●
	Inbuilt Li-ION 30 Ah Charger	●

● Standard equipment      ○ Optional equipment      □ Special equipment option

# CHARACTERISTICS



Safety sensors on both handles

## Safety

- Reduction of the speed when the cabin is raised
- Automatic door interlock to protect the operator when the platform is raised and lowered
- Sensors on both handles reduce risk of injury
- Double foot switch as dead man's switch
- Warning lights and signal tones increase safety around the vehicle



Spacious operator compartment

## Ergonomics

- Spacious operator compartment for comfortable working
- Ergonomic arrangement of the controls
- Electrically height adjustable of the loading platform for optimal visibility
- Storage compartments for paper work and small bottle of water



Optimized 1st and 2nd level order picking

## Handling

- Lifting platform up to 3 meters height for effortless access to the second and third rack levels
- Powerful DC motor ensures top speed of up to 6.5 km/h
- Overall length of only 1140 millimeters increases maneuverability in narrow aisles and curves
- Integrated charger enables opportunity charging of the lithium-ion battery and increases vehicle availability
- Electrical steering for effortless manoeuvrability and safe, highly efficient load handling
- Built-in charger enables opportunity charging at any convenient power point



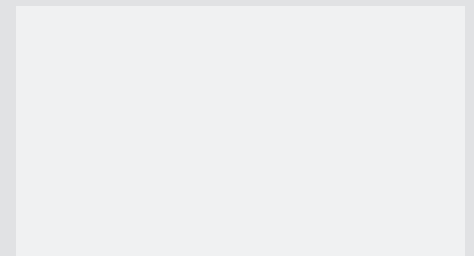
All information at a glance

## Service

- Maintenance-free lithium-ion batteries contribute to high energy efficiency and vehicle availability
- Battery management system ensures high performance and long battery life
- Low-maintenance DC drive motor reduces service costs
- CAN bus connection ensures simple service processes
- Key vehicle components are easily accessible

Subject to modification in the interest of progress. Illustrations and technical details could include options and not binding for actual constructions. All dimensions subject to usual tolerances.

Presented by:



**Linde Material Handling GmbH**  
Carl-von-Linde-Platz | 63743 Aschaffenburg | Germany  
Phone + 49 6021 99 0 | Fax + 49 6021 99 1570  
www.linde-mh.com | info@linde-mh.com

Printed in Germany | DS\_MW01\_8905\_en\_A\_0621